

Thrust Ball Bearings

Bearing No. : **NACHI 53205U**

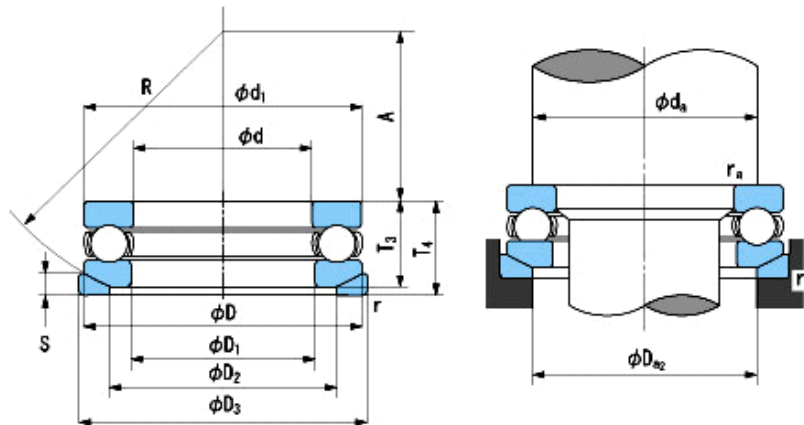
■ Bearing Type

■ Clearance

■ Tolerance Class

Dimensions

d = 25	0 -0.010
D = 47	0 -0.016
T3 = 16.7	
T4 = 19	
r = 0.6~1.5	
(Radial Direction and Axial Direction)	
d1(max) = 47	
D1(min) = 27	
D2 = 36	
D3 = 50	
S = 5.5	
R = 40	
A = 19	



Dimensions
da(min) = 38
Da2(max) = 36
ra(max) = 0.6
Mass = 0.16 kg

Basic Dynamic Load Rating Ca :	27,800 N
Basic Static Load Rating Coa :	50,500 N
Limiting Speed ;	
Grease Lubrication :	3,700 min ⁻¹
Oil Lubrication :	5,600 min ⁻¹

	INNER RING	OUTER RING
O.D.Surface Runout with Side :		-
Axial Runout with Bore :	-	
Axial Runout with Raceway :	-	
Width Variation :	-	
Radial Runout :	-	